

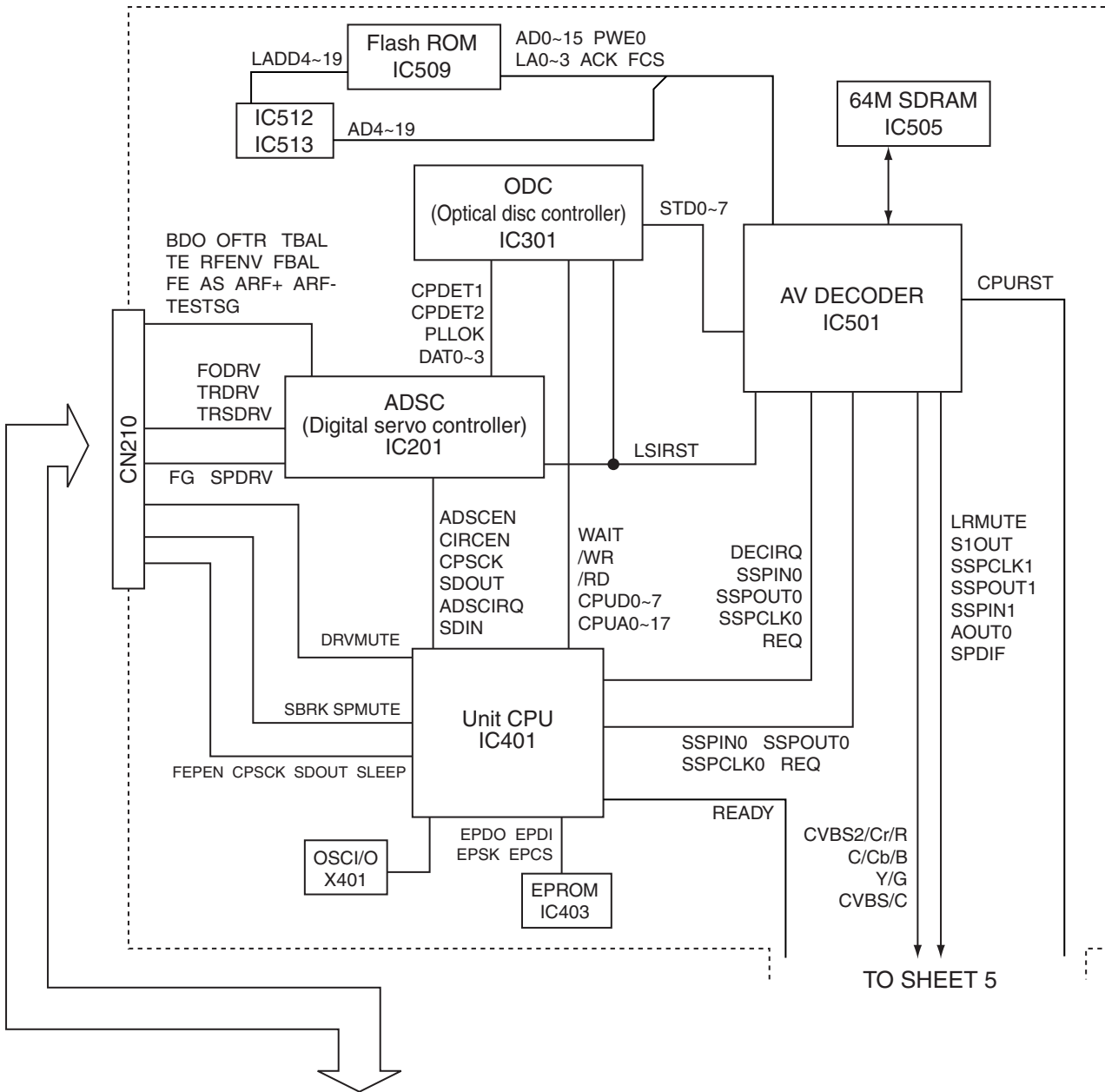
Safety precaution

In regard with component parts appearing on the silk-screen printed side (parts side) of the PWB diagrams, the parts that are printed over with black such as the resistor (■), diode (▣) and ICP (●) or identified by the "△" mark nearby are critical for safety. When replacing them, be sure to use the parts of the same type and rating as specified by the manufacturer. (Except the JC version)

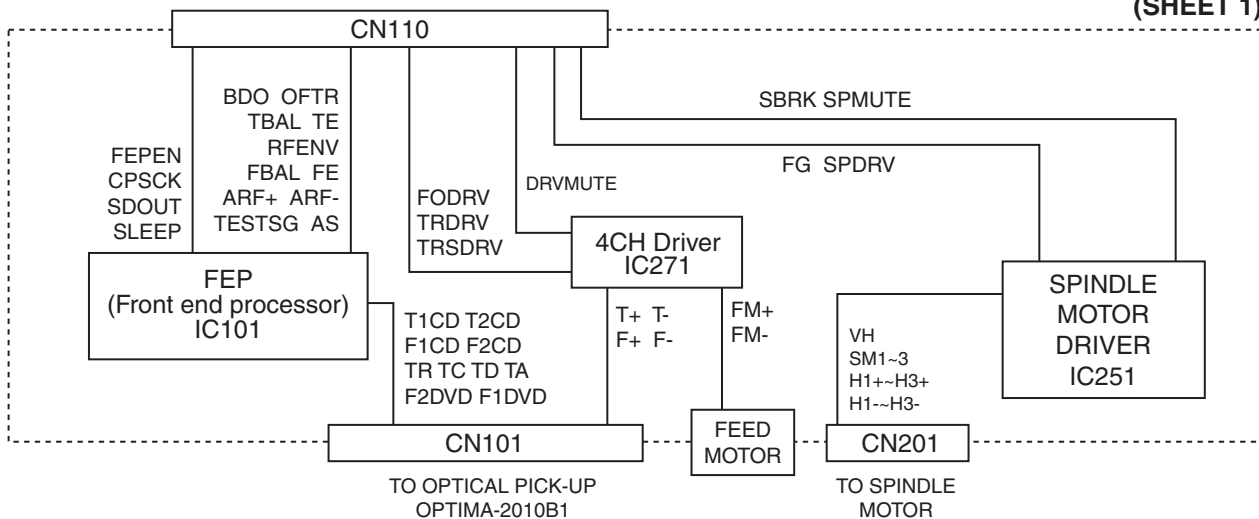
Block diagrams

■ DVD Servo control & AV decoder section (SHEET 1,2,3,4)

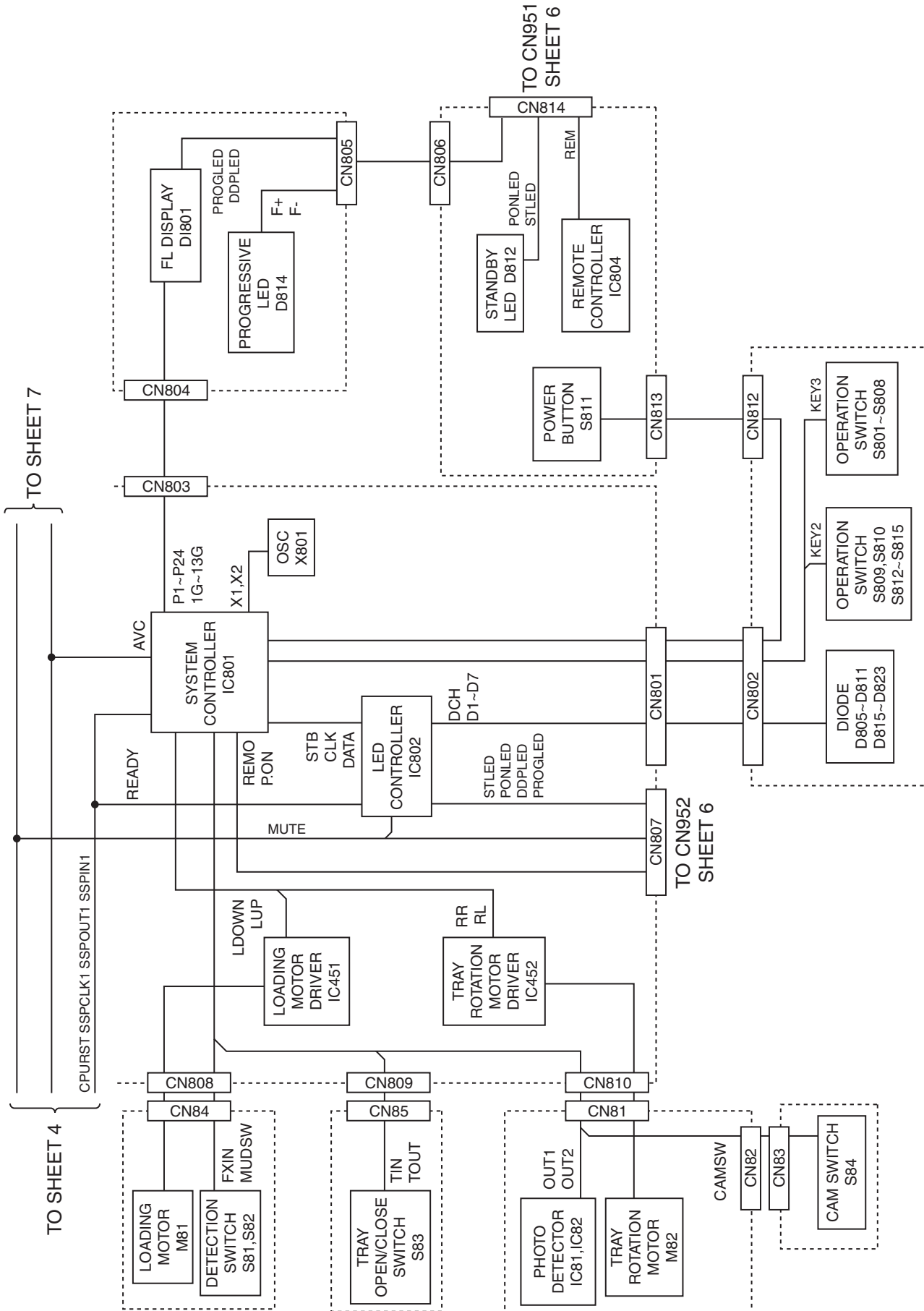
(SHEET 2,3,4)



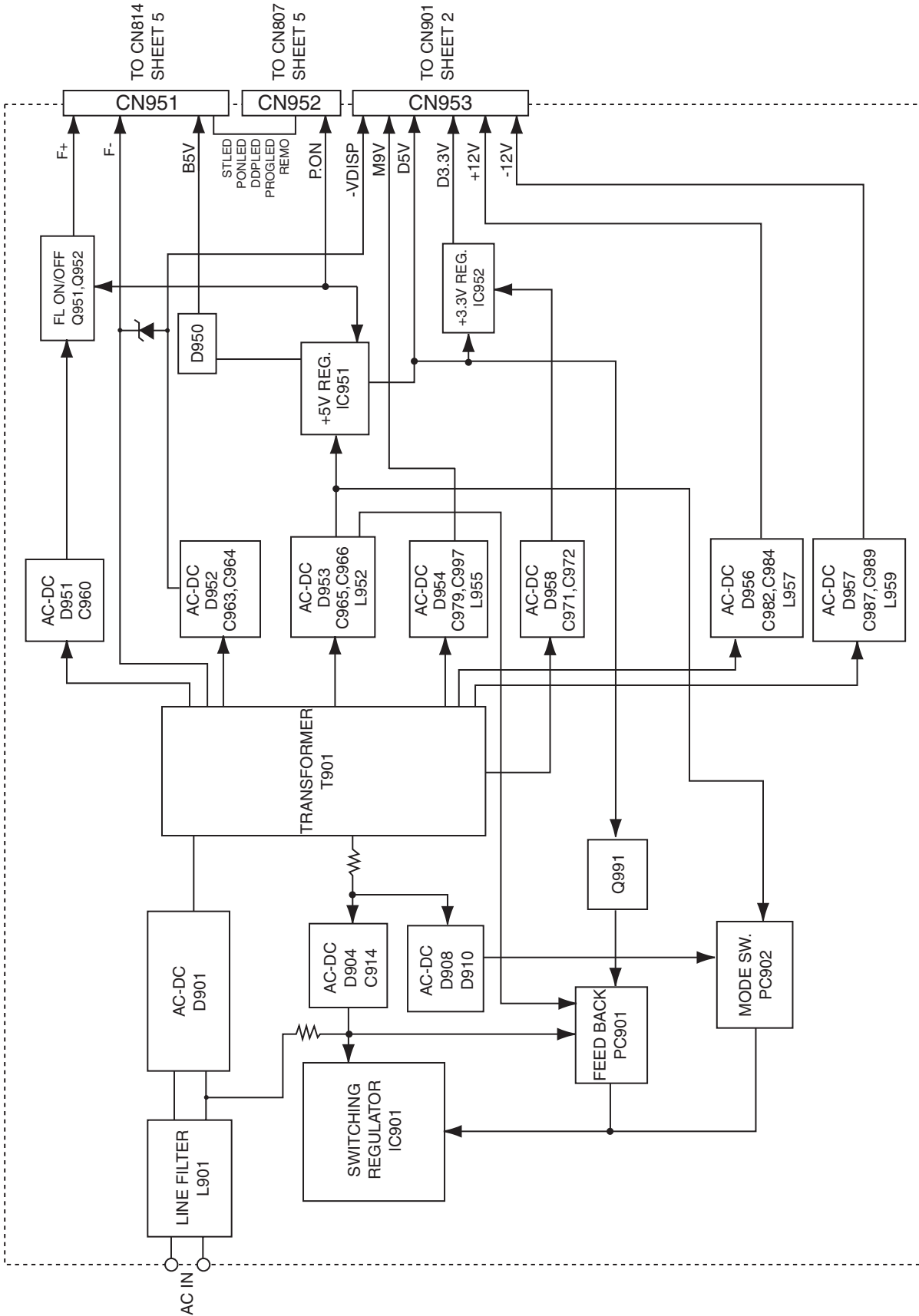
(SHEET 1)



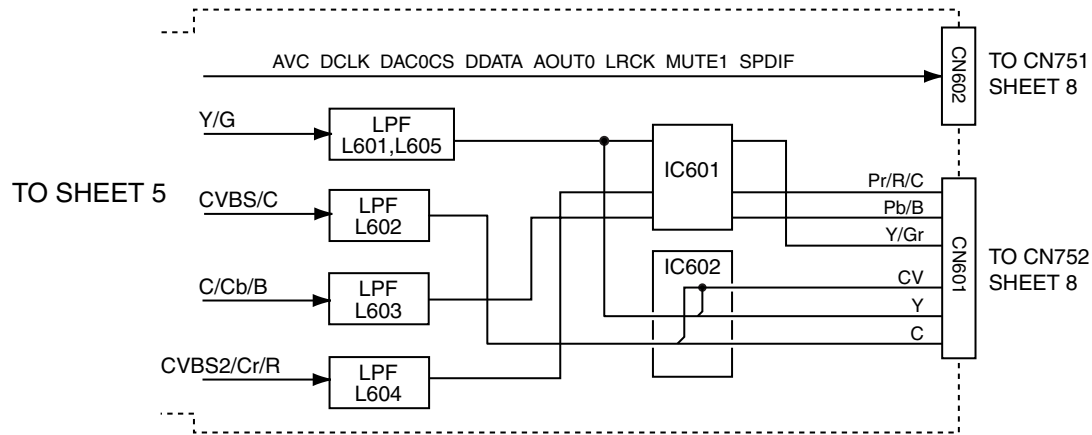
■ FL Display & system control section (SHEET 5)



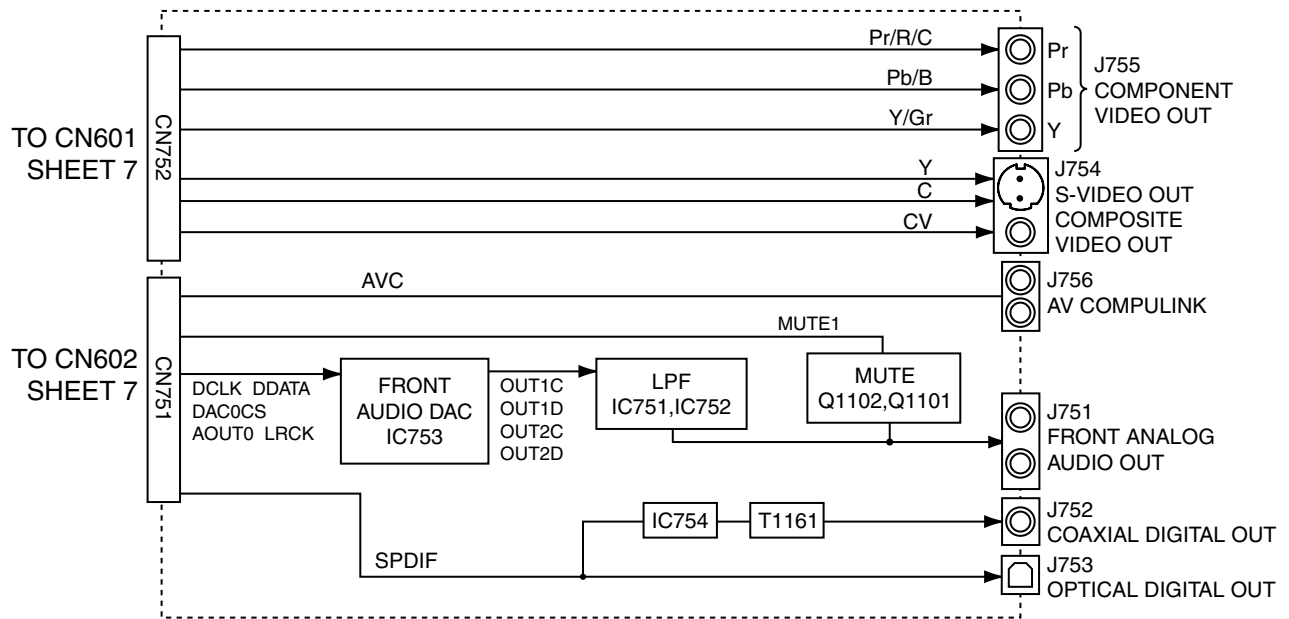
■ Power supply section (SHEET 6)



■ Video signal driver section (SHEET 7)



■ AUDIO/VIDEO Signal output section (SHEET 8)



Standard schematic diagrams

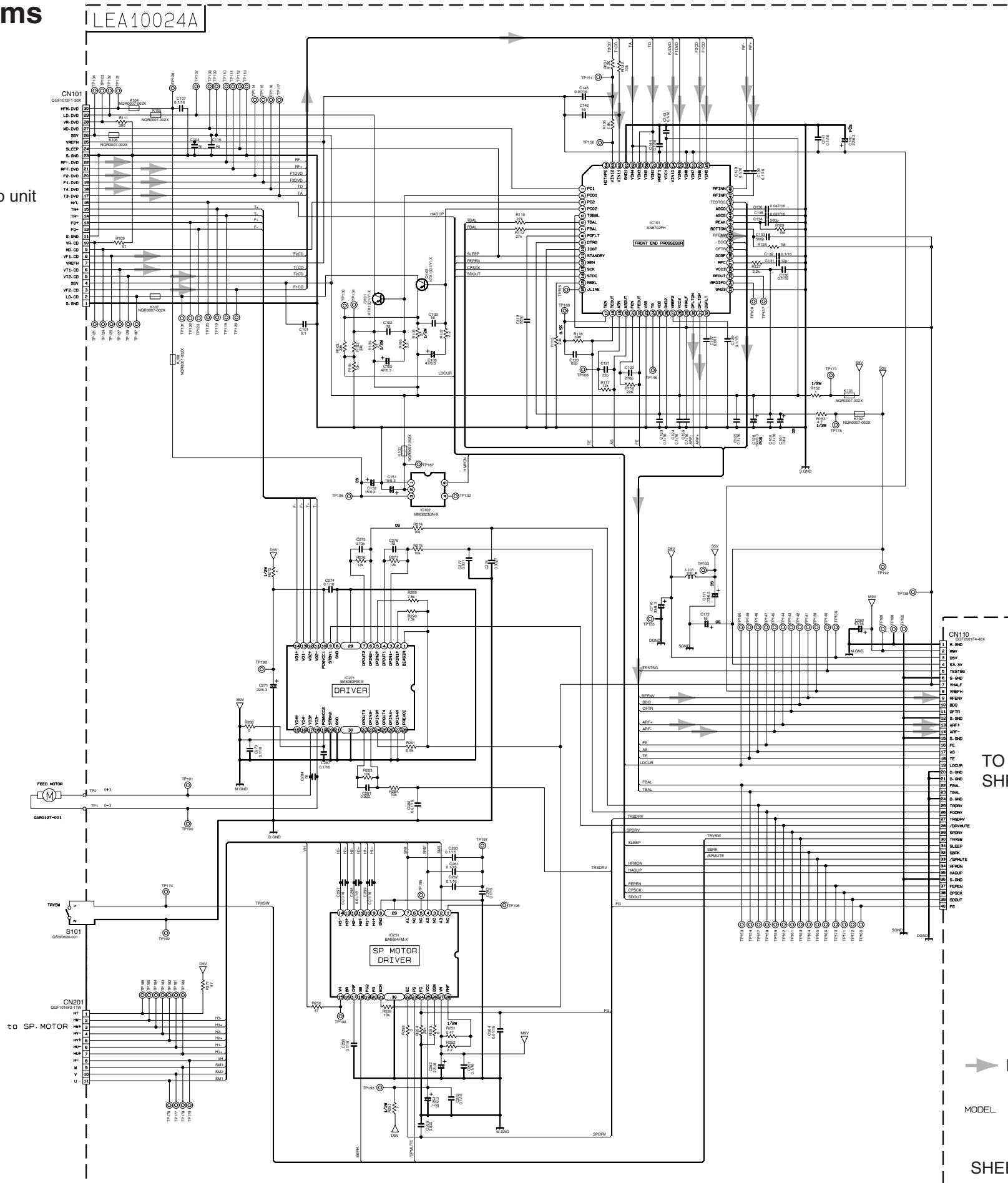
■ Frontend & motor driver section

XV-F80BK/XV-F85GD

XV-F80BK/XV-F85GD

6
5
4
3
2
1

TO Pick up unit



TO CN210 SHEET 2

➔ Digital data signal

MODEL XV-F80

SHEET 1/8

A

B

C

D

E

F

G

H

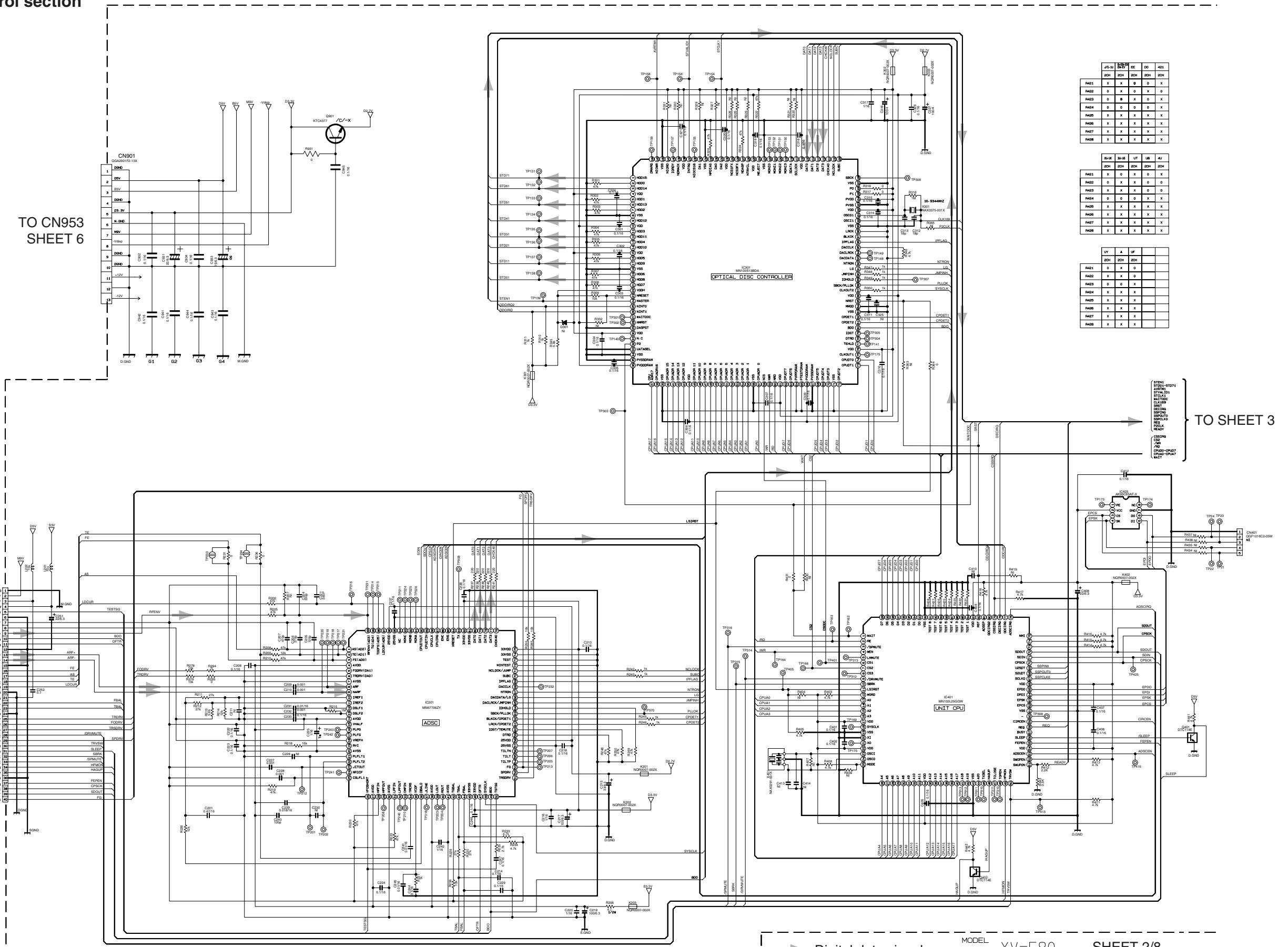
I

■ Servo control section

6
5
4
3
2
1

TO CN110 SHEET 1

TO CN953 SHEET 6



JP5-10	REP	RE	DO	421
2CH	3CH	2CH	2CH	2CH
R421	X	X	O	X
R422	O	X	O	X
R423	O	O	X	O
R424	O	O	O	X
R425	X	X	X	X
R426	X	X	X	X
R427	X	X	X	X
R428	X	X	X	X

2CH	3CH	VF	UB	AU
R431	X	O	X	O
R432	O	X	X	O
R433	O	X	O	O
R434	O	O	O	X
R435	X	X	X	X
R436	X	X	X	X
R437	X	X	X	X
R438	X	X	X	X

2CH	A	AF
R441	X	O
R442	O	X
R443	O	O
R444	X	X
R445	X	X
R446	X	X
R447	X	X
R448	X	X

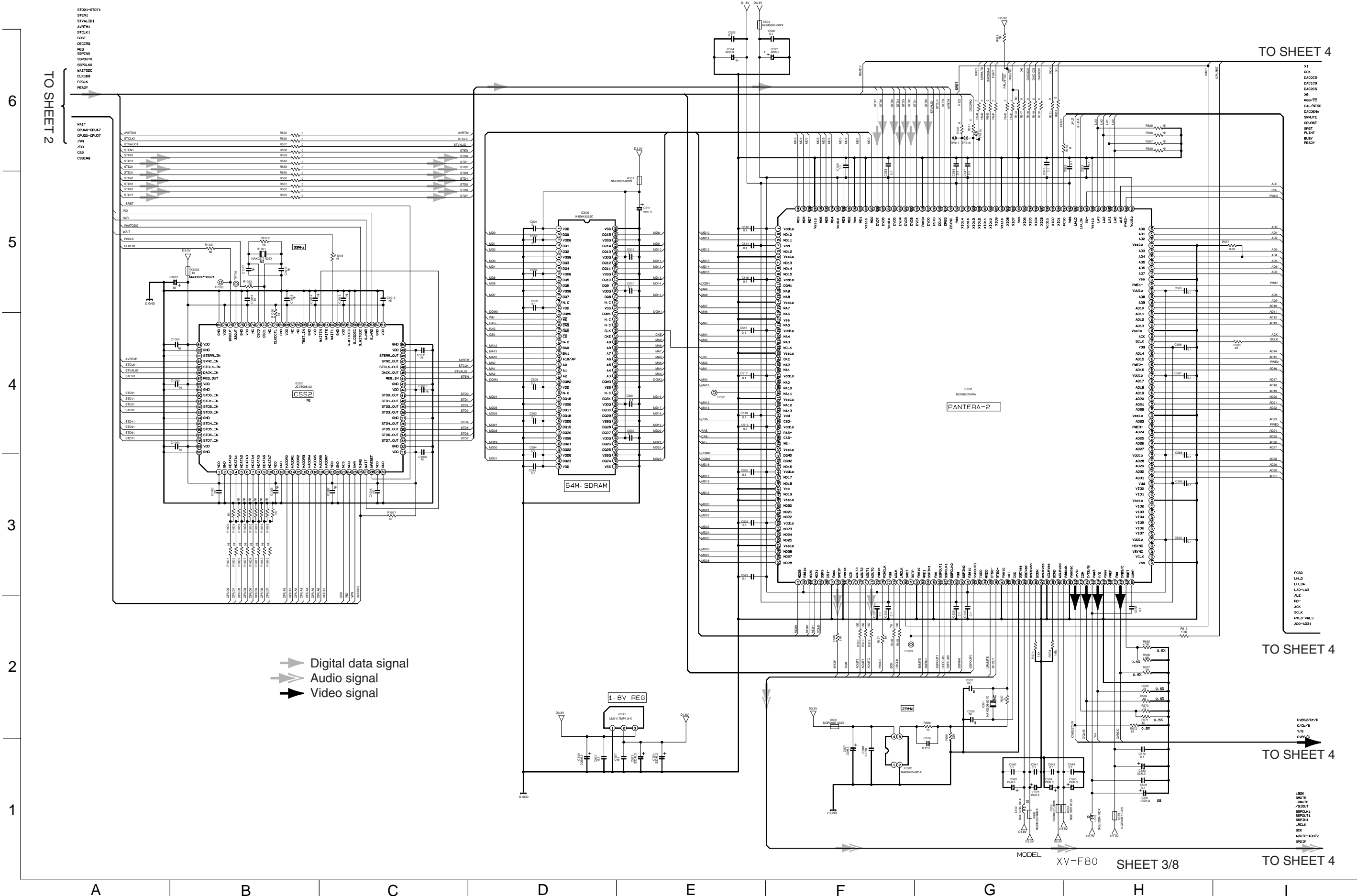
TO SHEET 3

➔ Digital data signal

MODEL XV-F80 SHEET 2/8

A B C D E F G H I

AV Decoder section



Digital data signal
 Audio signal
 Video signal

TO SHEET 4

TO SHEET 4

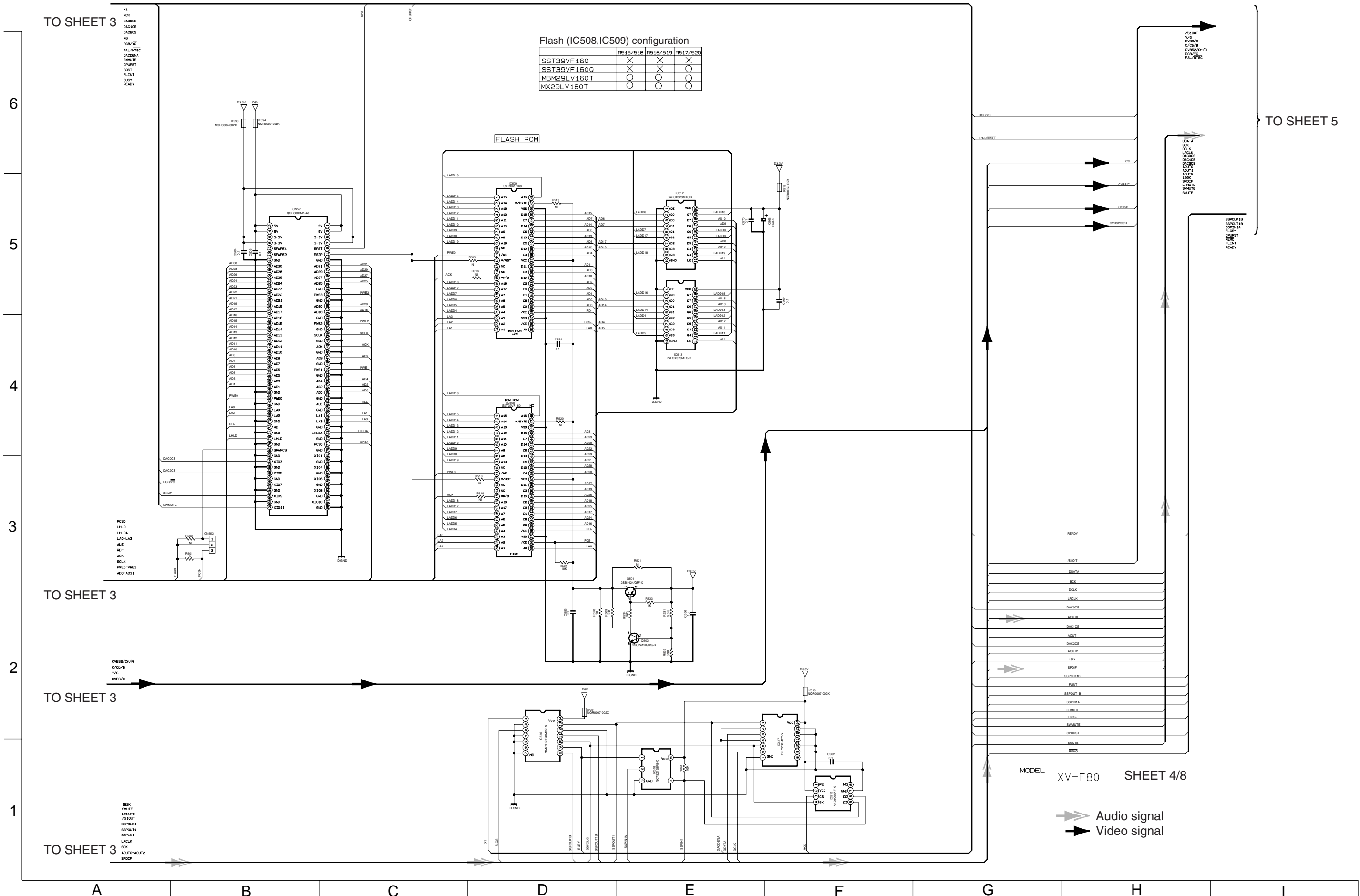
TO SHEET 4

TO SHEET 4

Flash ROM section

Flash (IC508,IC509) configuration

	RS15/RS18	RS16/RS19	RS17/RS20
SST39VF160	X	X	X
SST39VF160Q	X	X	X
MBM29LV160T	O	O	O
MX29LV160T	O	O	O



TO SHEET 3

TO SHEET 3

TO SHEET 3

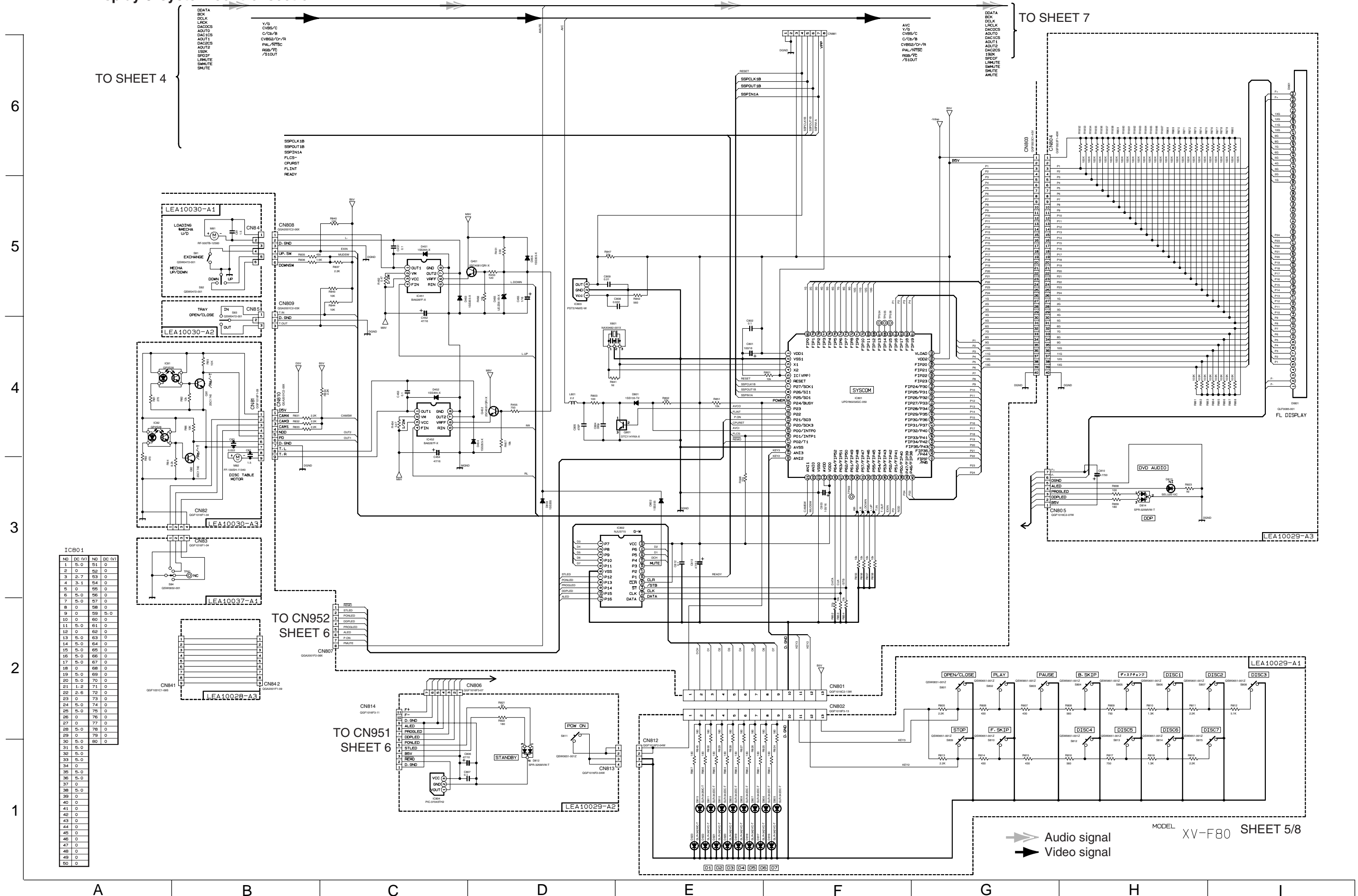
TO SHEET 3

TO SHEET 5

MODEL XV-F80 SHEET 4/8

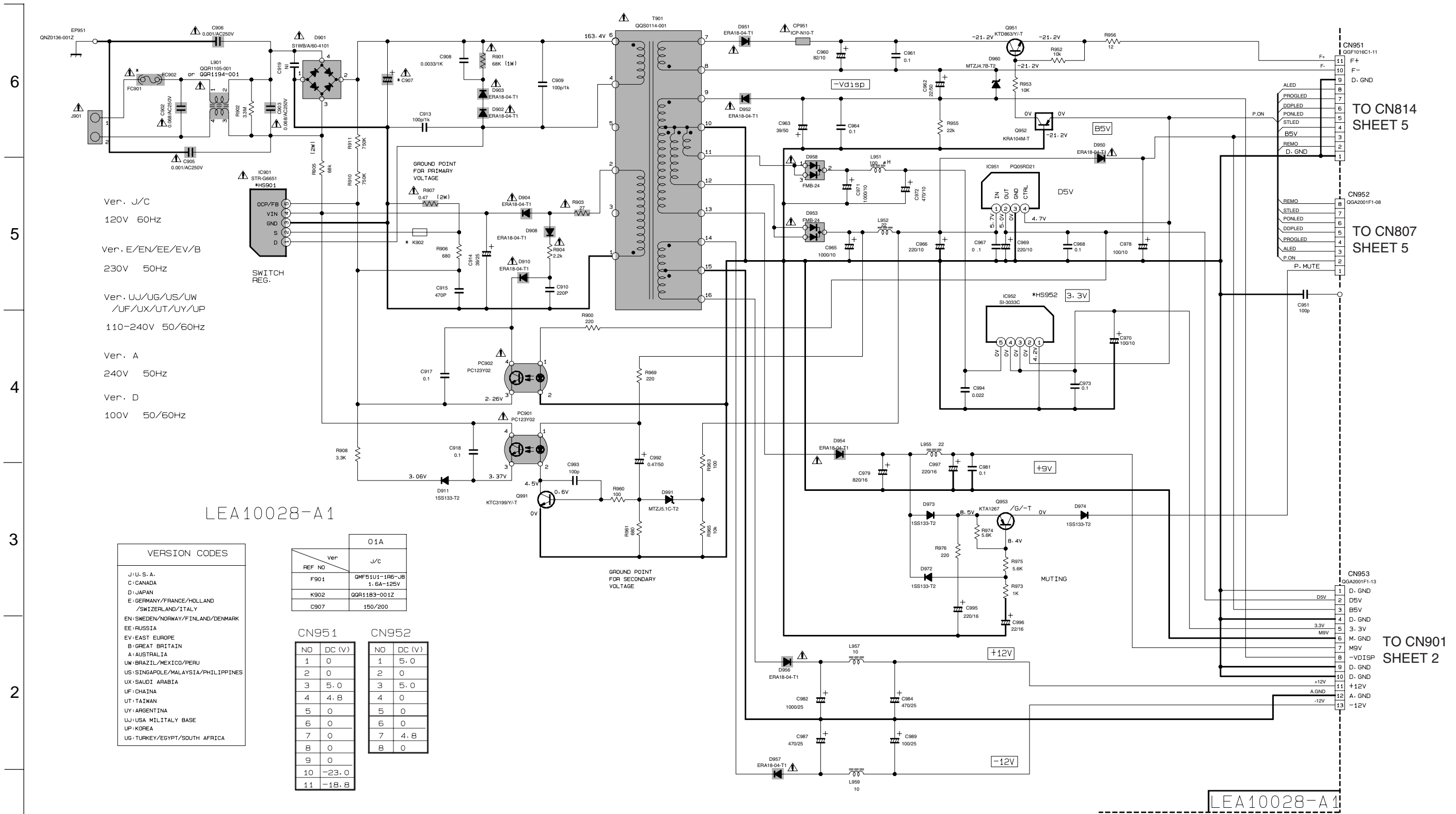
➡ Audio signal
➡ Video signal

FL Display & system control section



Audio signal
 Video signal
 MODEL XV-F80 SHEET 5/8

Power supply section



Ver. J/C
120V 60Hz

Ver. E/EN/EE/EV/B
230V 50Hz

Ver. UJ/UG/US/UW
/UF/UX/UT/UY/UP
110-240V 50/60Hz

Ver. A
240V 50Hz

Ver. D
100V 50/60Hz

VERSION CODES

J: U.S.A.
C: CANADA
D: JAPAN
E: GERMANY/FRANCE/HOLLAND /SWITZERLAND/ITALY
EN: SWEDEN/NORWAY/FINLAND/DENMARK
EE: RUSSIA
EV: EAST EUROPE
B: GREAT BRITAIN
A: AUSTRALIA
UW: BRAZIL/MEXICO/PERU
US: SINGAPOLE/MALAYSIA/PHILIPPINES
UX: SAUDI ARABIA
UF: CHINA
UT: TAIWAN
UY: ARGENTINA
UU: USA MILITARY BASE
UP: KOREA
UG: TURKEY/EGYPT/SOUTH AFRICA

Ver	O1A
REF NO	J/C
F901	QMF51U1-1R6-JB 1.5A-125V
K902	QGR1183-001Z
C907	150/200

CN951		CN952	
NO	DC (V)	NO	DC (V)
1	0	1	5.0
2	0	2	0
3	5.0	3	5.0
4	4.8	4	0
5	0	5	0
6	0	6	0
7	0	7	4.8
8	0	B	0
9	0		
10	-23.0		
11	-18.8		

TO CN814
SHEET 5

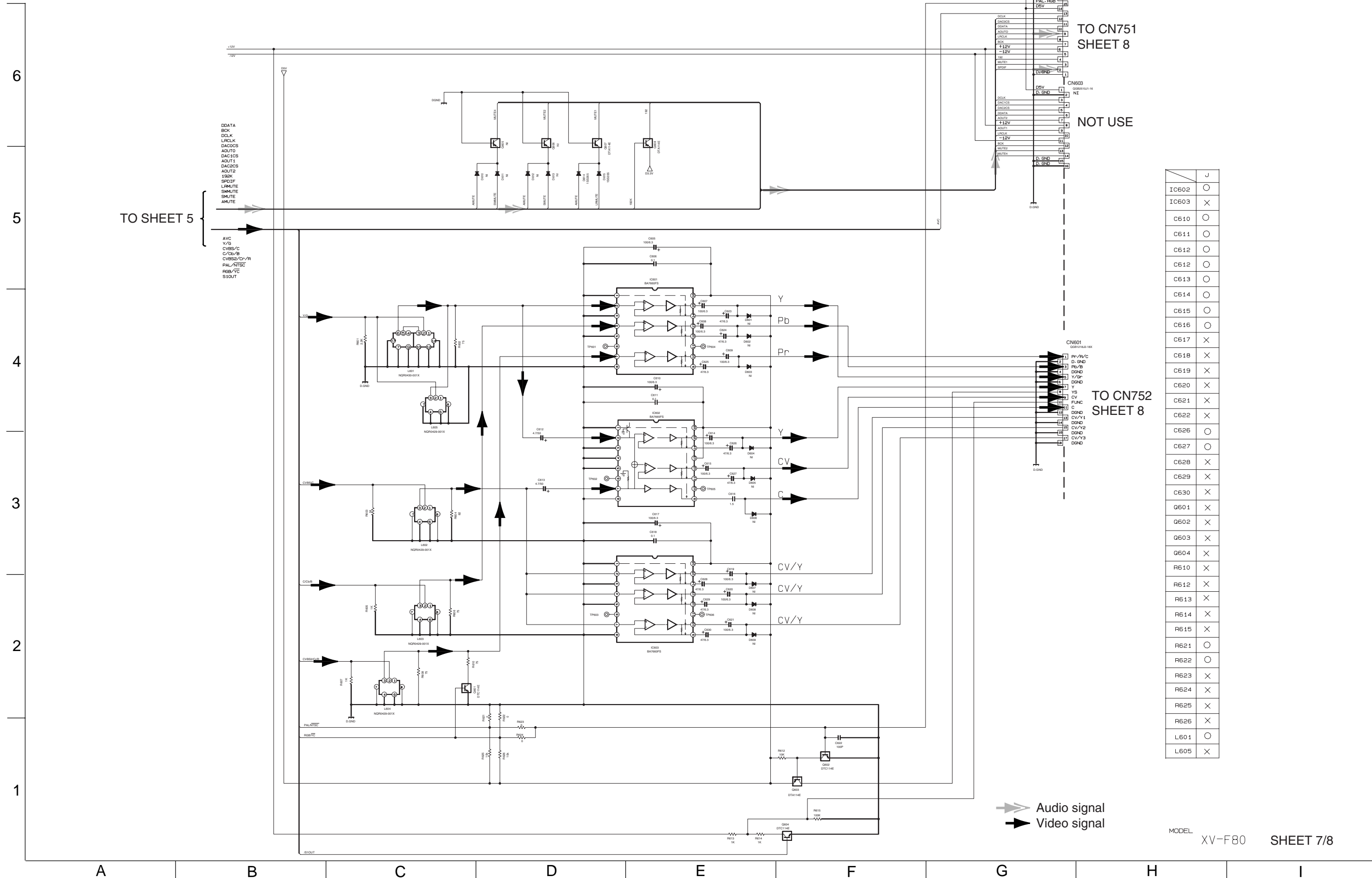
TO CN807
SHEET 5

TO CN901
SHEET 2

Parts are safety assurance parts.
When replacing those parts make
sure to use the specified one.

MODEL XV-F80 SHEET 6/8

Video signal driver section



TO SHEET 5

TO CN751 SHEET 8

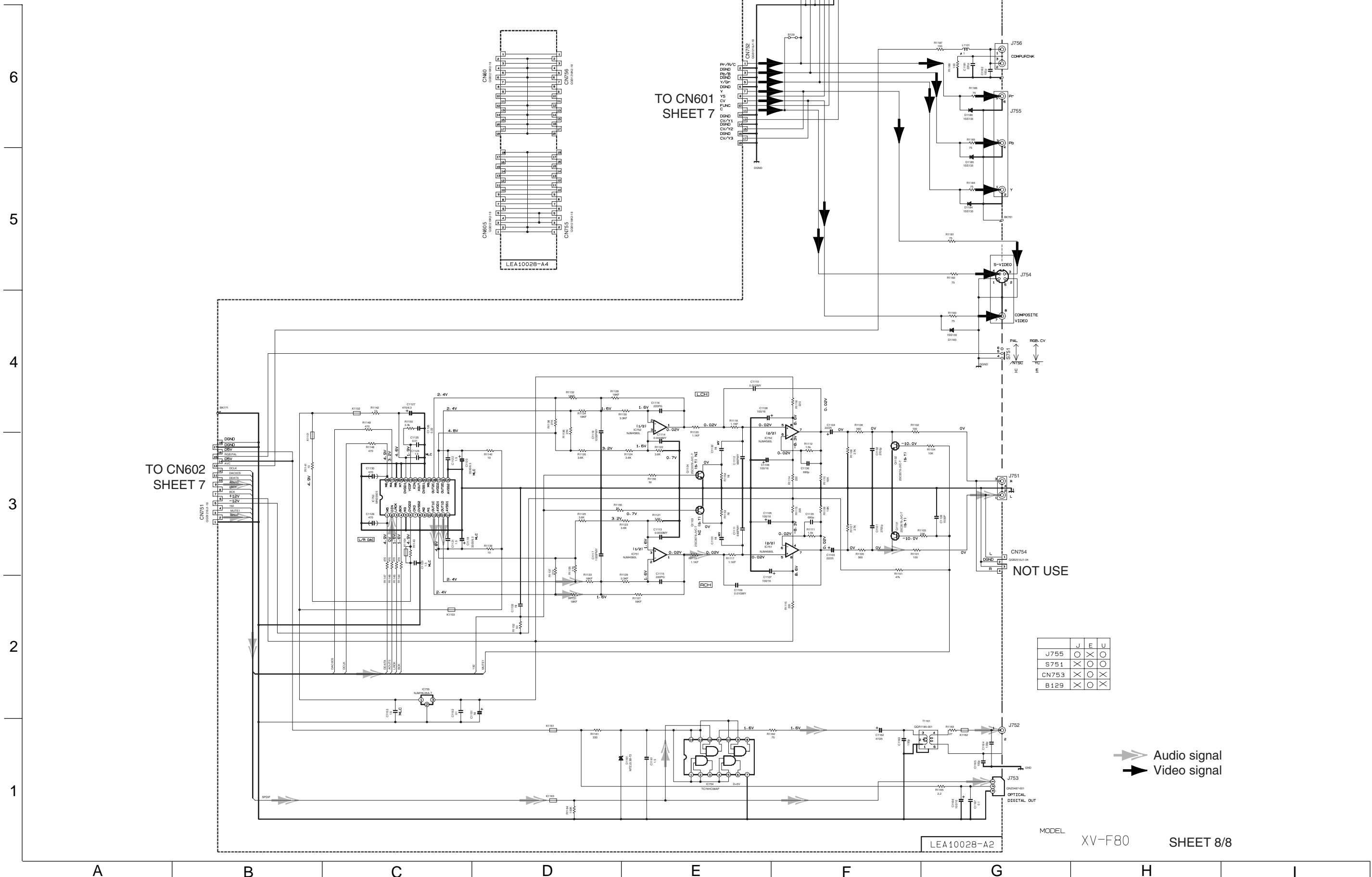
NOT USE

TO CN752 SHEET 8

	J
IC602	○
IC603	×
C610	○
C611	○
C612	○
C613	○
C614	○
C615	○
C616	○
C617	×
C618	×
C619	×
C620	×
C621	×
C622	×
C626	○
C627	○
C628	×
C629	×
C630	×
Q601	×
Q602	×
Q603	×
Q604	×
R610	×
R612	×
R613	×
R614	×
R615	×
R621	○
R622	○
R623	×
R624	×
R625	×
R626	×
L601	○
L605	×

Audio signal
 Video signal

■ Audio / video signal output section



J755	X	O	C	m	O	C
S751	X	O	X	O	O	O
CN753	X	O	X	X	O	C
B129	X	O	X	X	X	C

Audio signal
 Video signal

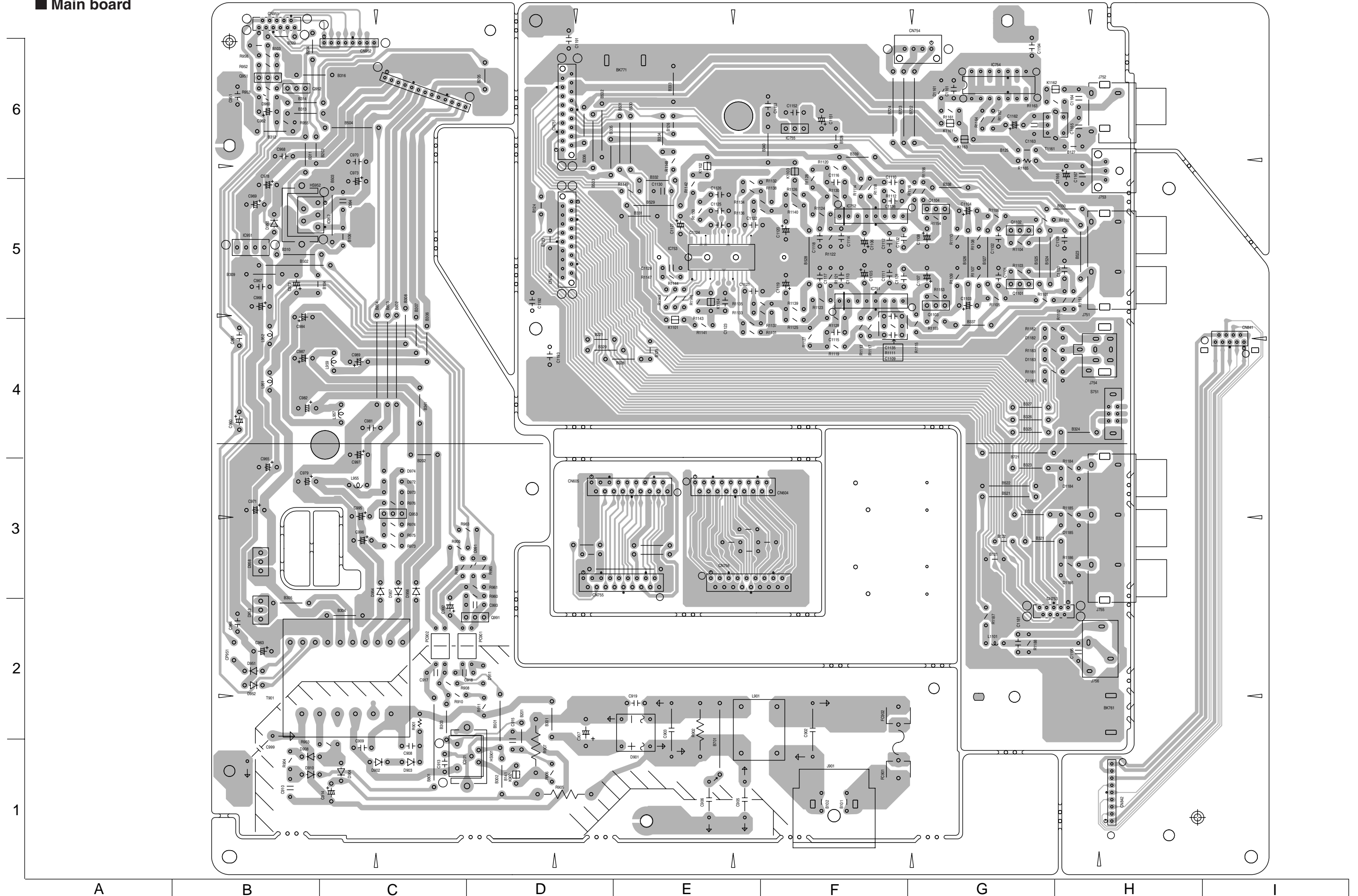
MODEL XV-F80 SHEET 8/8

Printed circuit boards

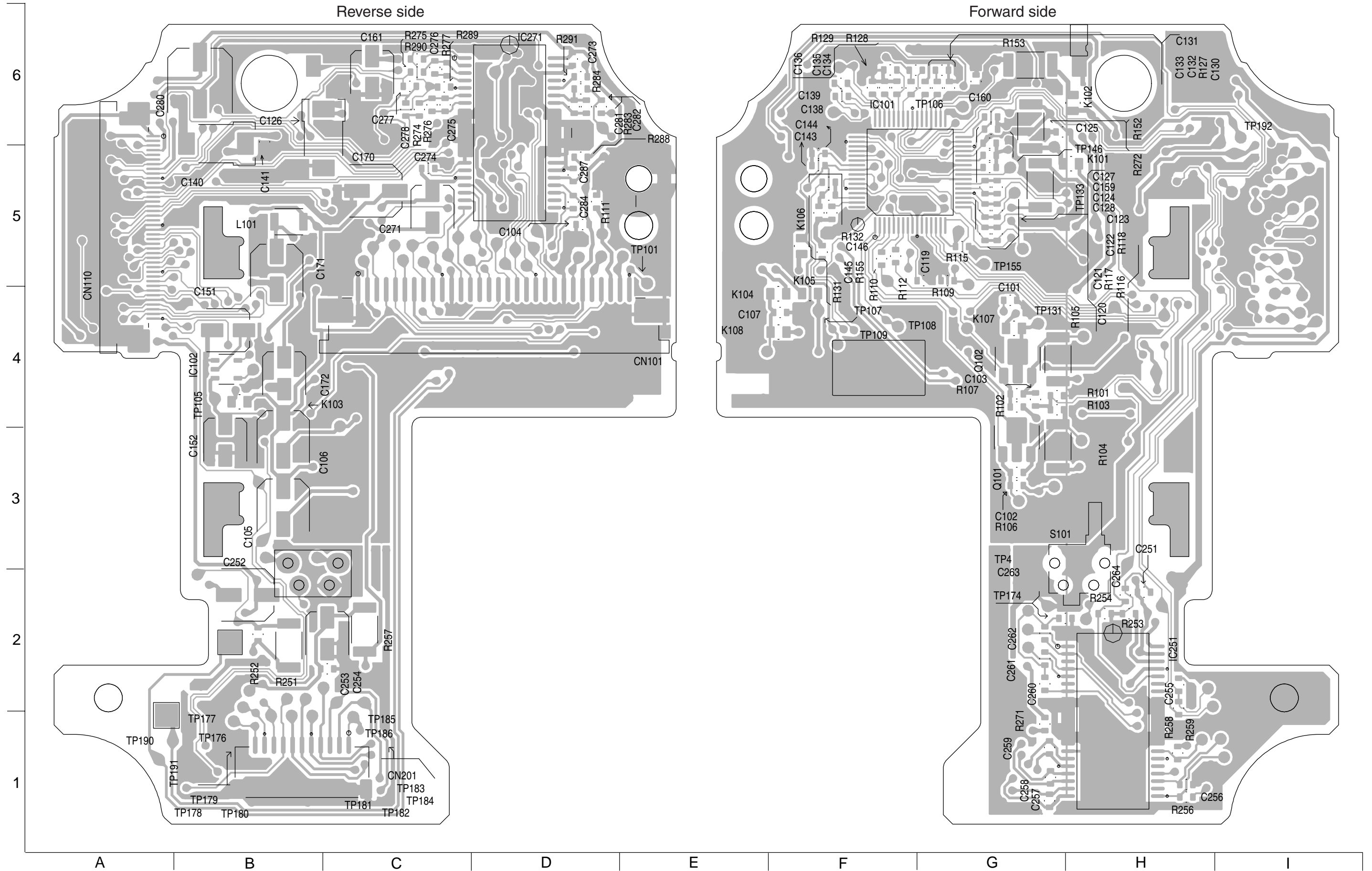
■ Main board

XV-F80BK/XV-F85GD

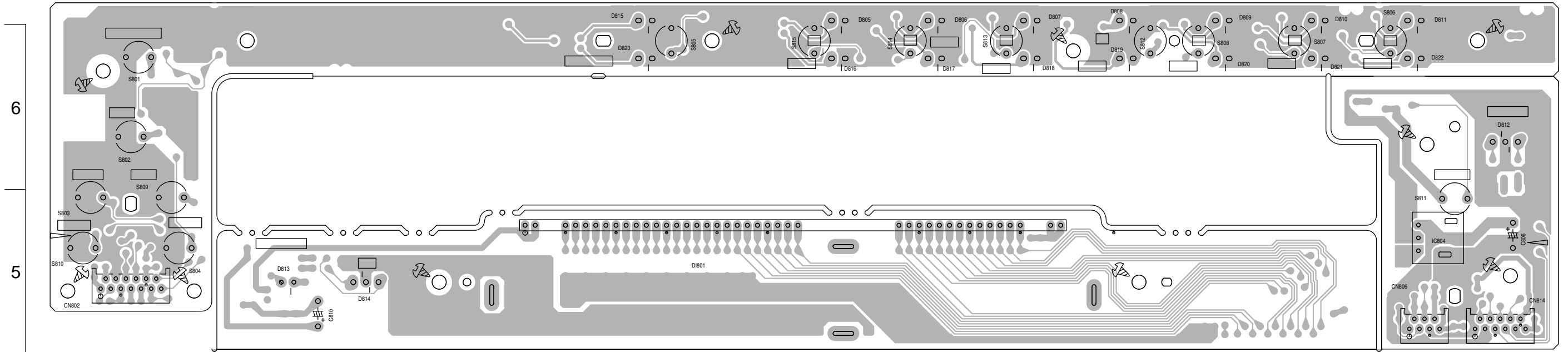
XV-F80BK/XV-F85GD



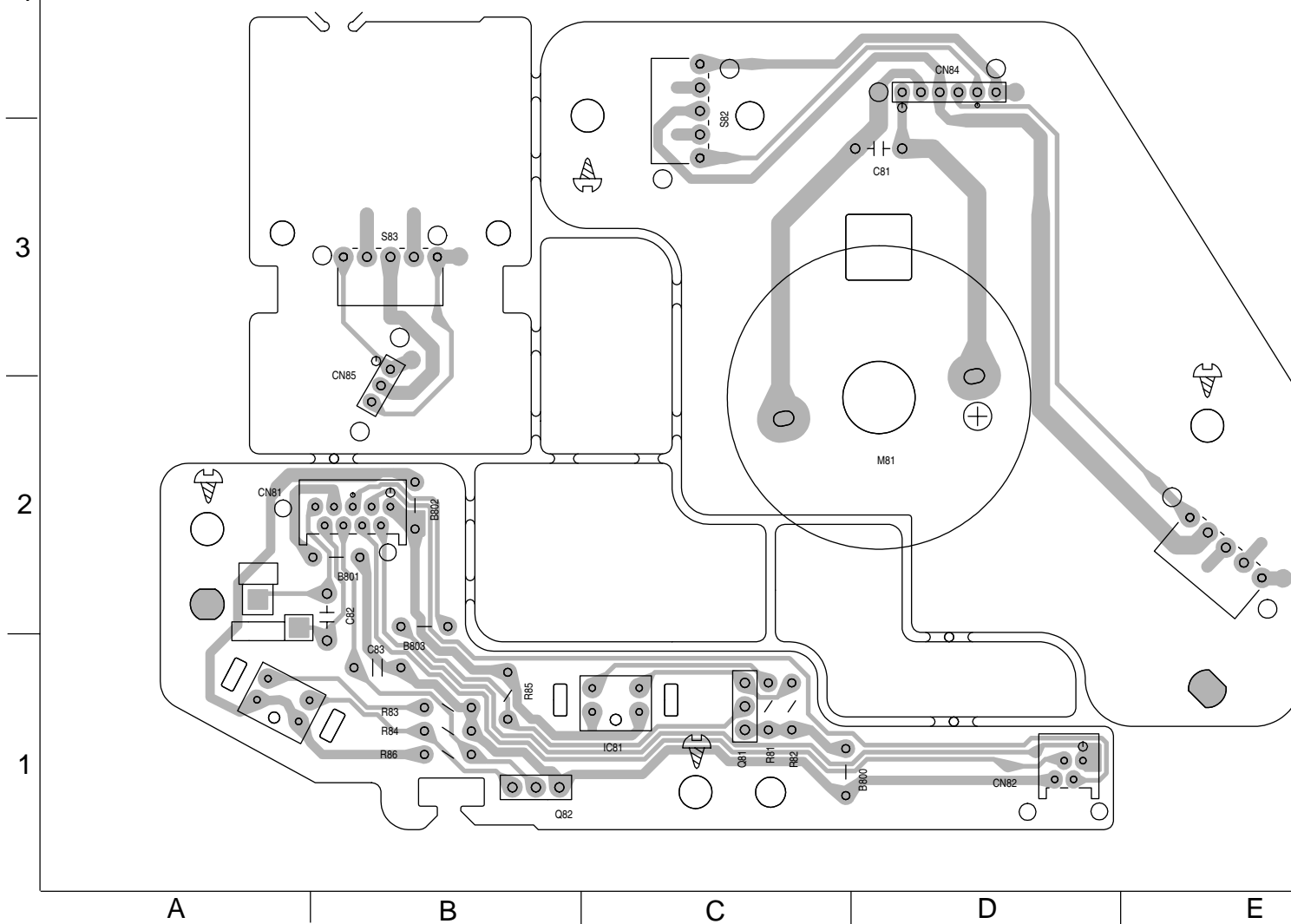
■ Frontend & motor drive section



■ Operation switch & FL Display board



■ Motor & detection switch board



■ Cam switch board

